

CWI LIGHTING

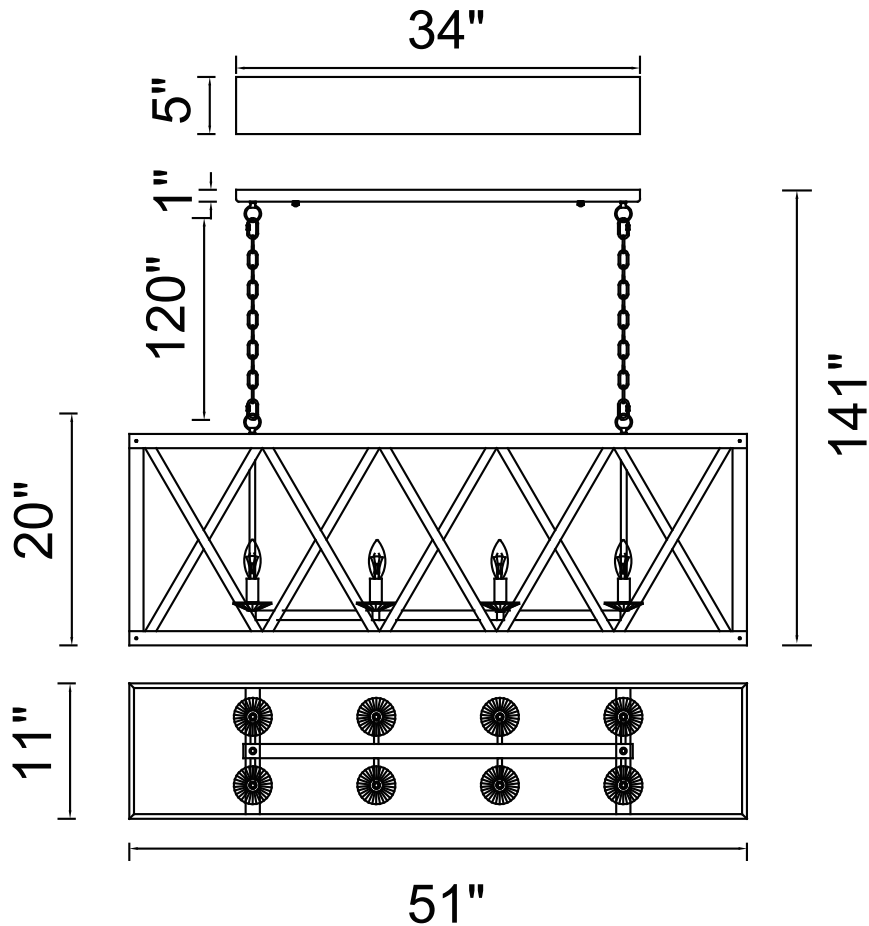
BRIGHTER LIVING. SIMPLIFIED.

PROJECT: _____

FIXTURE TYPE: _____

LOCATION: _____

CONTACT/PHONE: _____



Item	1033P51-8-230
Collection	MARINI
Finish	Wood Grain Brown
Glass	-----
Crystal	Clear
Input	120V AC,60HZ,AC

Shade	-----
Length/Dia.	51"
Width/Ext.	11"
Height	20"
Maximum	141"
Lumens	-----

Light Source	E12
Bulb Info.	8×60W
Included	-----
Dimmable	No
Color	-----
Weight	14.2KG