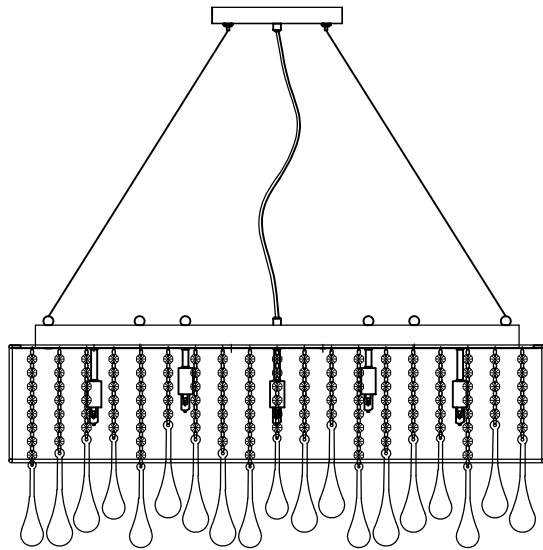


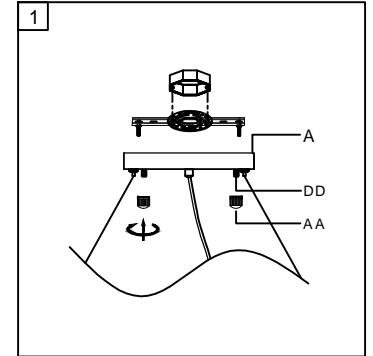
Trade Mark:
CRYSTAL WORLD INC

Product Name: Pendant lamp
Model :5005P32C
120Vac, 60Hz,AC ONLY
Lamp Size:L32"*W11"*48"H



PENDANT LAMP ASSEMBLY INSTRUCTIONS

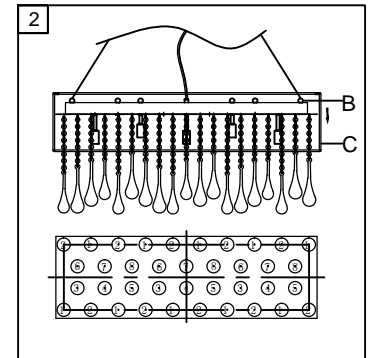
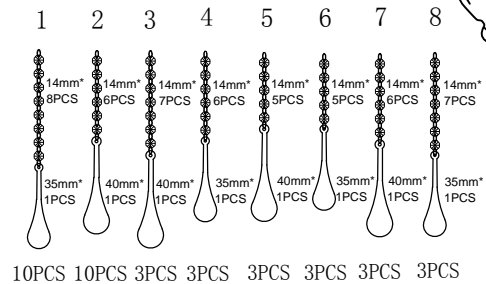
1. Place fixture(A) onto mounting screws (DD).secure with cap nuts (AA).



Hardware Used

AA Cap nut  X 2
DD Mounting screw  X 2

2. Please hang the crystal(1) (2) (3) (4) (5) (6) (7) (8) to the fixture .



3. Install light bulbs (not included).
Use bulb
120V G9 10*40W Max. 