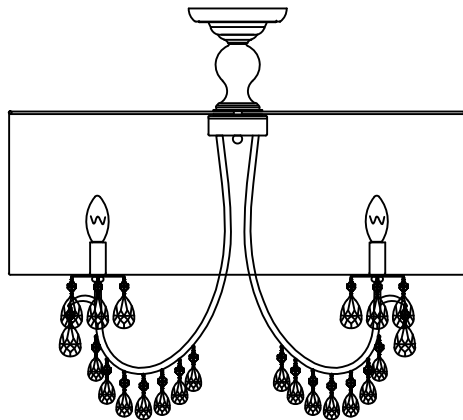


Trade Mark:
CRYSTAL WORLD INC

Product Name: Ceiling lamp
Model :5061C22AB
120Vac, 60Hz,AC ONLY
Lamp size:Ø22"XH25"

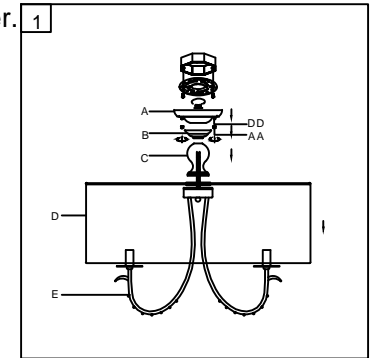


CEILING LAMP ASSEMBLY INSTRUCTIONS



- 1.Place fix (A) (B) (C) (D) with (E) in order.
- 2.Place fixture (A) onto mounting screws (DD).secure with cap nuts (AA).

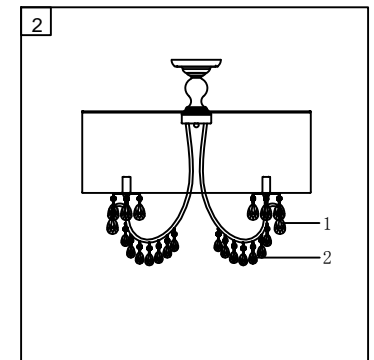
Hardware Used


- AA Cap nut  X 2
DD Mounting screw  X 2



- 2.Please put the crystal(1) (2) to the fixture .

- | | |
|---|---|
| 1 | 2 |
|  |  |
| 14mm*1PCS
50mm*1PCS | 14mm*1PCS
38mm*1PCS |
| 25PCS | 35PCS |



- 3.Install light bulbs (not included).
Use bulb
120V E12  5*40W Max.

