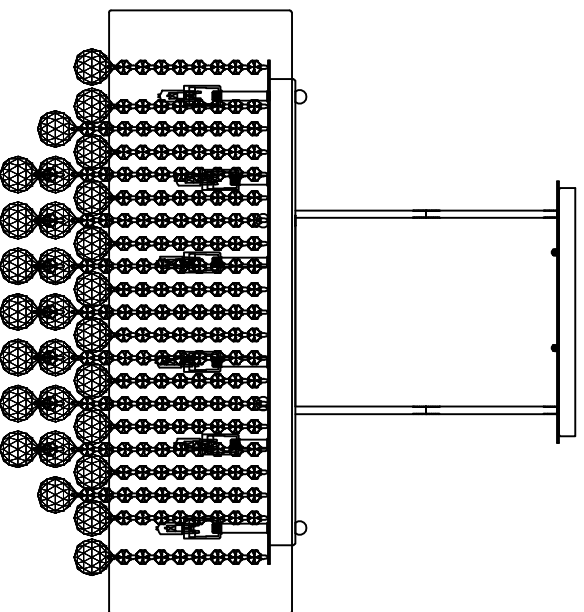


Trade Mark:  
CRYSTAL WORLD INC

Product Name: Pendant lamp  
Model :5063P26C  
120Vac, 60Hz,AC ONLY  
Lamp Size:L26"W\*W12"H\*30"H

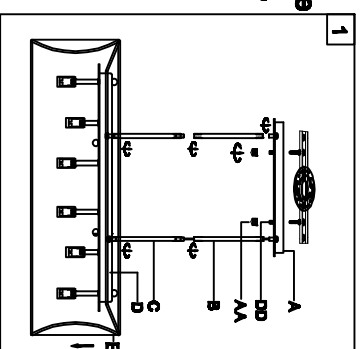


## PENDANT LAMP ASSEMBLY INSTRUCTIONS

1. Place fixture(A) onto mounting screws (DD), secure with cap nuts (AA). Please fix (A) with (B),(B) with (C),(C) with (D), (D) with (E).

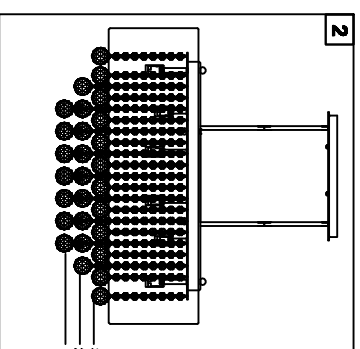
### Hardware Used

AA Cap nut	a	X 2
DD Mounting screw		X 2

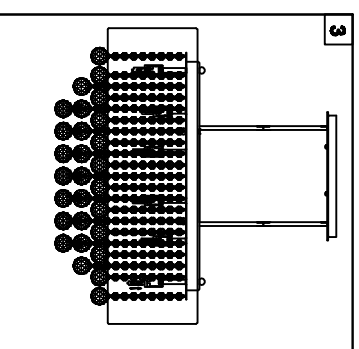


2. Please hang the crystal(1) (2) (3) to the fixture .

- |   |                |   |                |   |               |
|---|----------------|---|----------------|---|---------------|
| 1 | 14mm*<br>12PCS | 2 | 14mm*<br>10PCS | 3 | 14mm*<br>8PCS |
|   | 40mm*<br>1PCS  |   | 40mm*<br>1PCS  |   | 40mm*<br>1PCS |
|   | 7PCS           |   | 16PCS          |   | 22PCS         |



3. Install light bulbs ( not included).  
Use bulb  
**120V G9**  **6\*40W Max.**



  
Intertek  
4006677