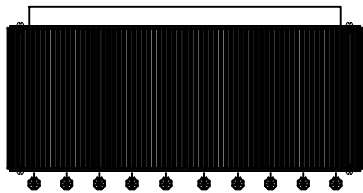


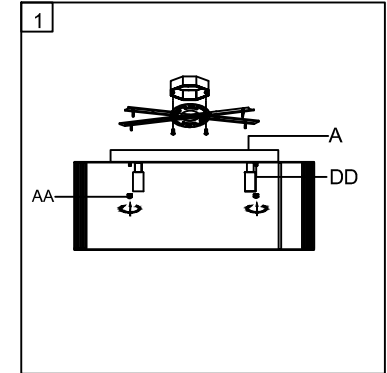
Trade Mark:
CRYSTAL WORLD INC

Product Name: Ceiling lamp
Model :5319C18C-S
120Vac, 60Hz,AC ONLY
Lamp Size:L18"*W18"*H10"



CEILING LAMP ASSEMBLY INSTRUCTIONS

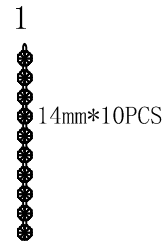
- 1.Place fixture(A) onto mounting screws (DD).secure with cap nuts (AA).



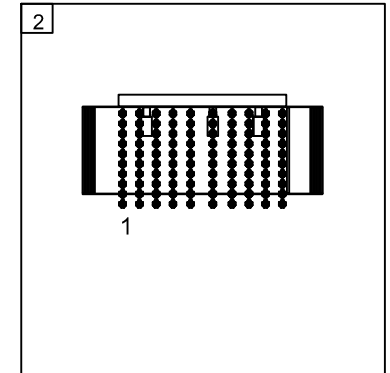
Hardware Used


- AA Cap nut  X 4
DD Mounting screw  X 4

- 2.Please put the crystal(1) to the fixture .



144PCS



- 3.Install light bulbs (not included).
Use bulb
120V G9  8*40W Max.

