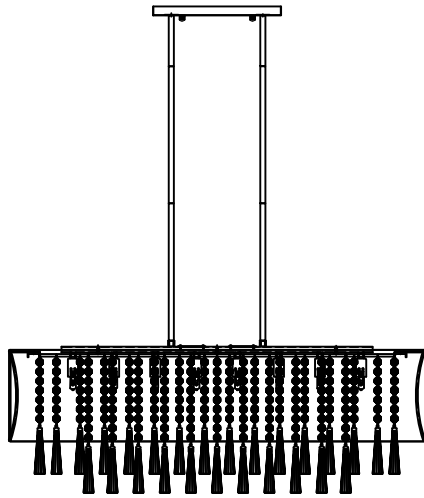


Trade Mark:
CRYSTAL WORLD INC

Product Name: Pendant lamp
Model :5519P36C-O
120Vac, 60Hz,AC ONLY
Lamp Size:L36"*W12"*H13"-H72"

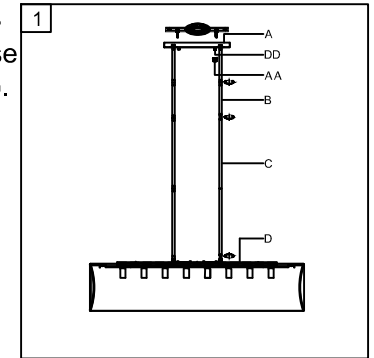


PENDANT LAMP ASSEMBLY INSTRUCTIONS

1. Place fixture(A) onto mounting screws (DD), secure with cap nuts (AA). Please fix (A) with (B). (B) with (C), (C) with (D).


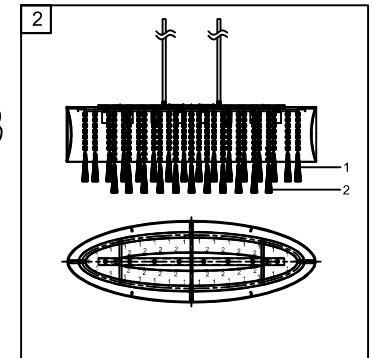
Hardware Used


AA Cap nut  X 2
DD Mounting screw  X 2



2. Please hang the crystal (1) (2) to the fixture .

1 14mm*7PCS
95mm*1PCS
30PCS
2 14mm*9PCS
95mm*1PCS
20PCS

3. Install light bulbs (not included).
Use bulb  **8*40W Max.**

