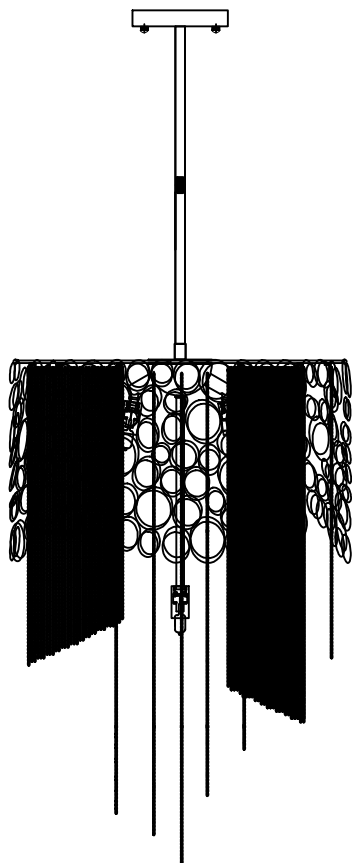


Trade Mark:
CRYSTAL WORLD INC

Product Name: Pendant lamp
Model :5631P17C
120Vac, 60Hz, AC ONLY
Lamp Size:Ø17"*H43"




Intertek
4006677

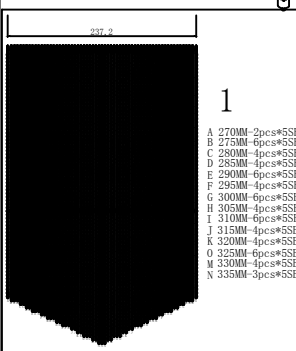
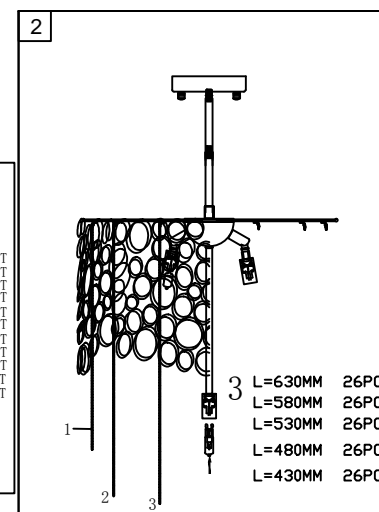
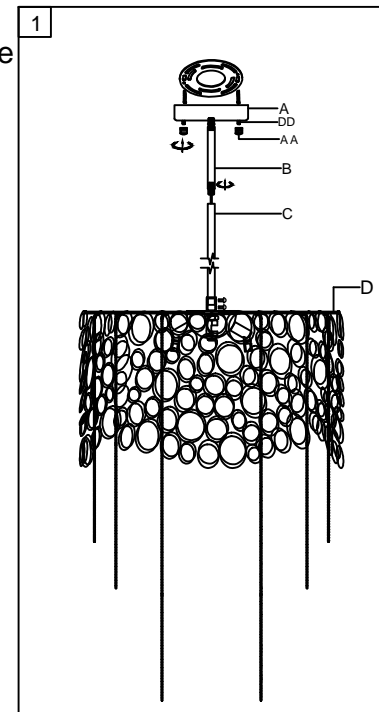
PENDANT LAMP ASSEMBLY INSTRUCTIONS

1. Place fixture(A) onto mounting screws (DD). secure with cap nuts (AA). Please fix (A) with (B). (B) with (C), (C) with (D),

Hardware Used

AA Cap nut  X 2
DD Mounting screw  X 2

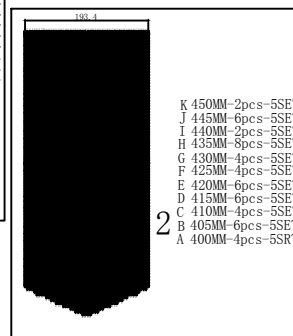
2. Install light bulbs (not included).
Use bulb
120V G9  **4*40W Max.**



1

A 270MM-2pcs*5SET
B 275MM-6pcs*5SET
C 280MM-4pcs*5SET
D 285MM-4pcs*5SET
E 290MM-6pcs*5SET
F 295MM-4pcs*5SET
G 300MM-6pcs*5SET
H 305MM-4pcs*5SET
I 310MM-6pcs*5SET
J 315MM-4pcs*5SET
K 320MM-4pcs*5SET
L 325MM-6pcs*5SET
M 330MM-4pcs*5SET
N 335MM-3pcs*5SET

1、2 铝链排法示意



2

K 450MM-2pcs-5SET
J 445MM-6pcs-5SET
I 440MM-2pcs-5SET
H 435MM-8pcs-5SET
G 430MM-4pcs-5SET
F 425MM-4pcs-5SET
E 420MM-6pcs-5SET
D 415MM-6pcs-5SET
C 410MM-4pcs-5SET
B 405MM-6pcs-5SET
A 400MM-4pcs-5SET