

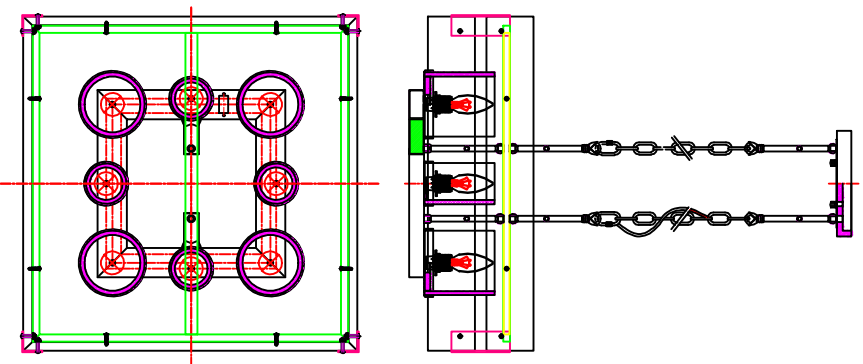
Trade Mark:  
CRYSTAL WORLD INC

Product Name: Pendant lamp

Model :9924P23-8

120Vac, 60Hz,AC ONLY

Lamp Size:L23"W23"H21"-80"



## PENDANT LAMP ASSEMBLY INSTRUCTIONS

1. Please take off the plastic sheet from the lamp body.
2. Please wear gloves when you hanging the crystal.
3. Install bulbs ( NOT INCLUDED).USE 120V E12  8\*40W Max.

