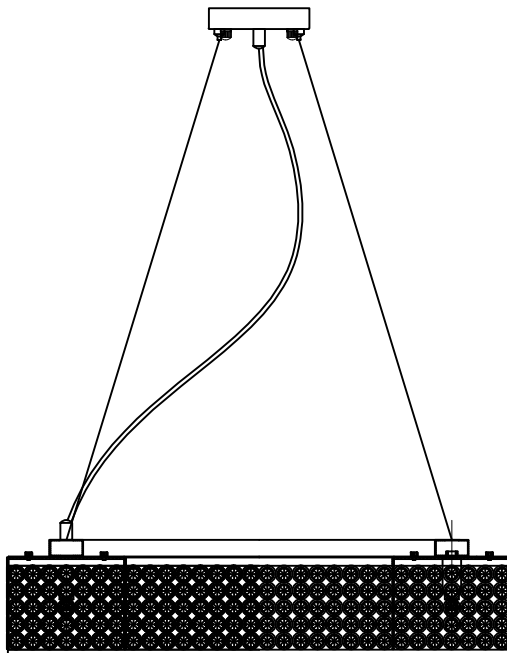


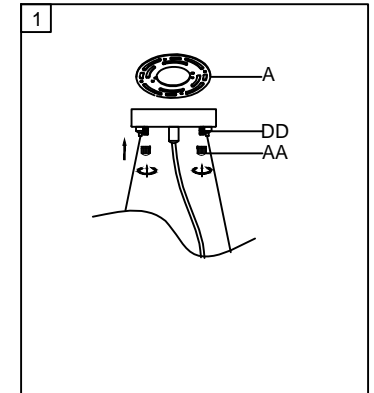
Trade Mark:
CRYSTAL WORLD INC

Product Name: Pendant lamp
Model :QS8391P24C-S
120Vac, 60Hz,AC ONLY
Lamp Size:L24"XW24"XH6"



PENDANT LAMP ASSEMBLY INSTRUCTIONS

1. Place fixture(A) onto mounting screws (DD).secure with cap nuts (AA).




Hardware Used

AA Cap nut  X 2

DD Mounting screw  X 2

2. Install light bulbs (not included).

Use bulb  **120V G9 12*40W Max.**

