

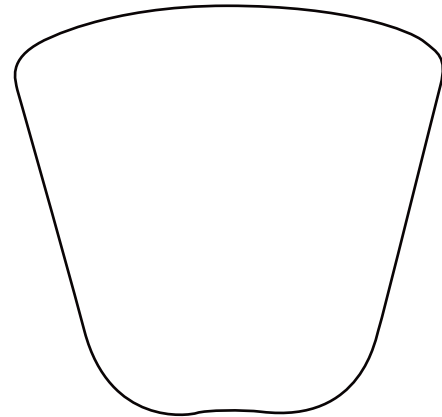


INSTALLATION INSTRUCTIONS

IMPORTANT

Before assembling your access lighting fixture, please make sure that you carefully read through these instruction sheets. Consider having your fixture installed by a qualified licensed electrician.

NOTE: The important safeguards and instructions that appear in this manual are not meant to cover all possible conditions and situations that may occur. It must be understood that common sense, caution and care, are factors that can't be built into any product. These factors must be supplied by the person(s) caring for and operating the fixture.



GENERAL INFORMATION

All electrical connections must be in accordance with all ordinances, Local and National Electrical Codes. These fixtures are intended for mounting to a standard 4" x 2 1/2" metal octagon outlet box. The box must be directly supported by the building structure and U.L. Recognized.

STEP BY STEP INSTRUCTIONS

Before starting your installation disconnect the Power by turning off the Circuit Breaker or by removing the fuse at the fuse box. Just turning the light off at the light switch is not sufficient to prevent electrical shock.

COLLECTION
Aire

APPLICATION
Wall Fixture

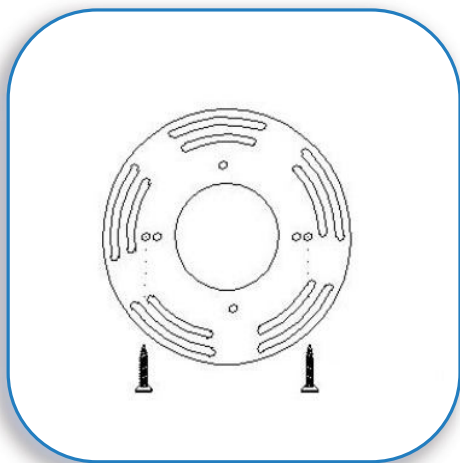
MODEL NO.
50166

WHAT WE PROVIDE

- Crossbar
- Mounting Hardware
- Mounting Plate
- Back Plate
- 1 x Glass Shade

WHAT YOU NEED

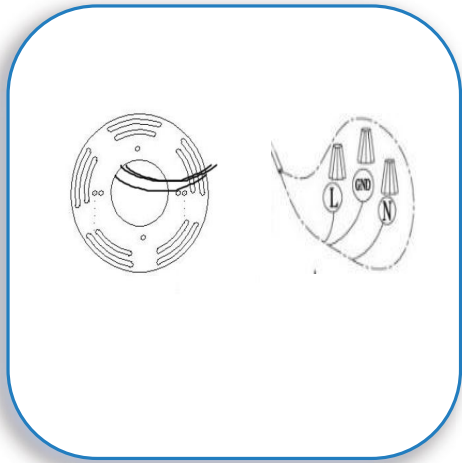
- Screwdriver
- Wire Cutters
- Wiring Supplies as Specified by Electrical Code
- 1 x 60W/E26/A19



MOUNT CROSSBAR

1

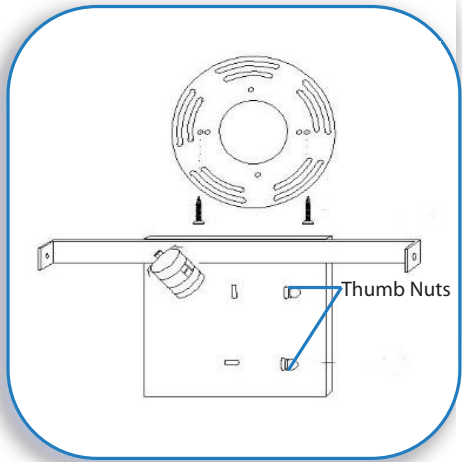
If there is an existing fixture remove it. Expose the supply wires from the j-box. Mount the crossbar to the j-box. Gently pull the wires through the center hole in the crossbar.



2

CONNECT THE WIRES

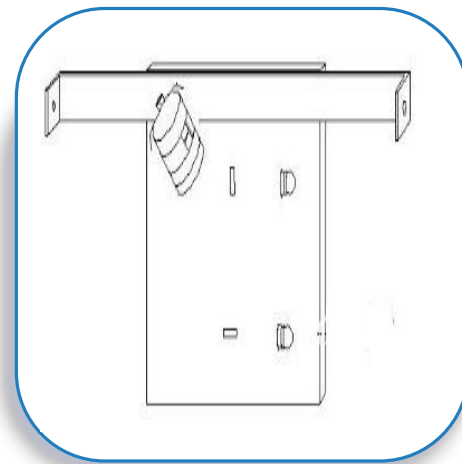
Gently pull the supply wires. Connect the black supply wire the black fixture wire. Secure with the supplied Wire nuts. Connect the white supply wires to the white Fixture wire. Secure with the supplied wire nuts. Either Wrap the green wire around one of the protruding screws Or connect it to the supply ground wire. Secure all wire With U.L Certified electrical tape (not supplied). Tuck all wires carefully into the J-box.



3

MOUNT THE BACK PLATE

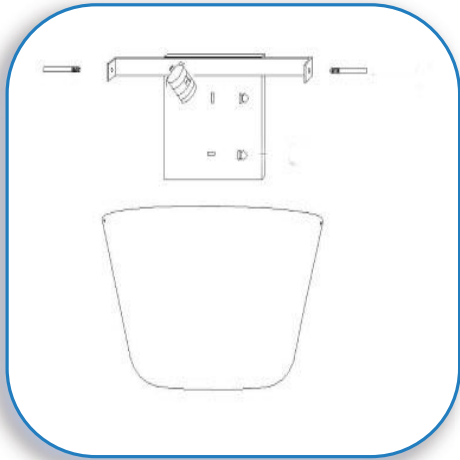
Align the holes in the back plate with the protruding screws from the crossbar. Insert the screws through the holes in the back plate and secure with the supplied thumb nuts.



4

INSERT THE BULB

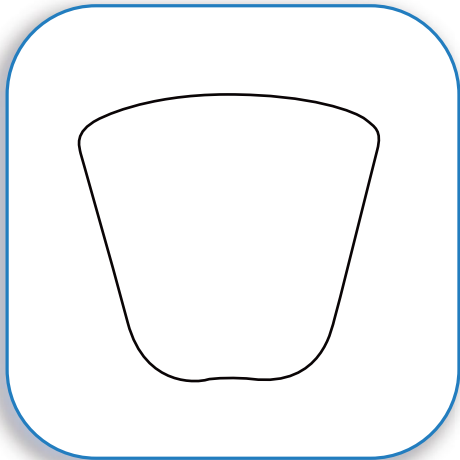
Insert the bulb. MAXIMUM WATTAGE 60W. DO NOT EXCEED THE RECOMMENDED WATTAGE AS STATED ON THE WARNING LABEL AND INSTRUCTION SHEETS.



5

SECURE THE GLASS SHADE

Secure the glass shade to the fixture, by aligning the holes in the sides of the glass shade with the holes in the L-bends on the back plate. Insert the supplied glass retaining screw. Tighten down to secure the glass shade.



6

RESTORE THE ELECTRICITY AND CHECK THE OPERATION OF YOUR NEW ACCESS FIXTURE

CAUTION

Please ensure that the fitting is cool and switched off before replacing the bulb. DO NOT use bulbs that might exceed the maximum wattage, stated on caution label.